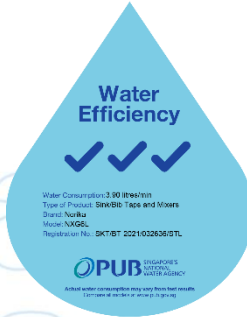
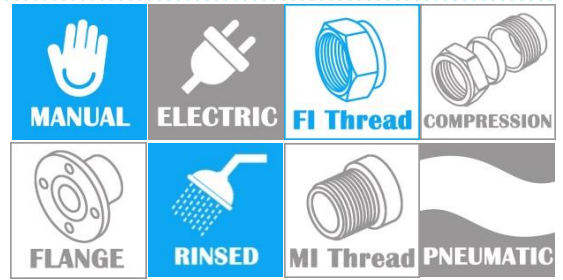
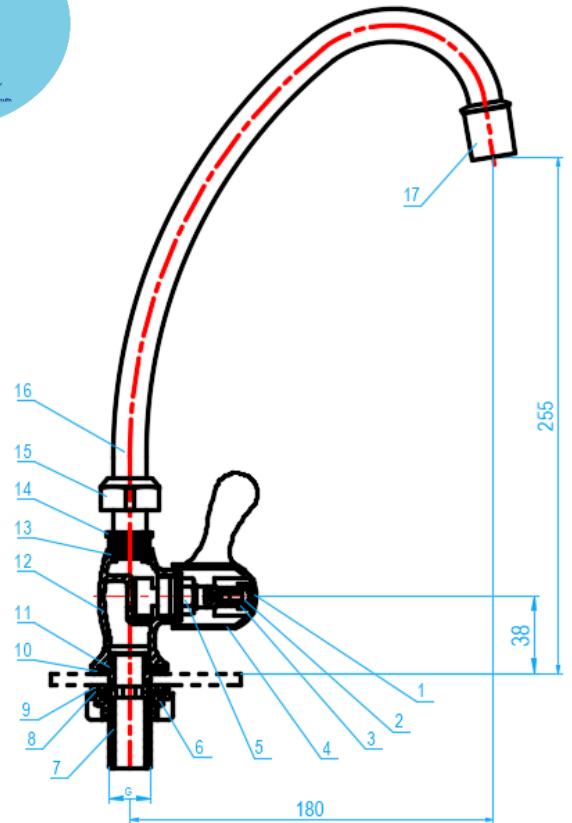


QUICK TURN ACTION PILLAR SINK TAP

COMPLY WITH BS EN200:2008
BSEN248:2002
AS/NZS4020:2005
SS375:2015



COMPONENT PARTS		
ITEM	PARTS	MATERIAL
1	Blank Cap	ABS
2	Handle Screw	Brass
3	Washer	NBR
4	Handle	KirkSITE
5	Piston	Ceramic+ Brass
6	Nut	POM
7	Inlet Connector	Brass
8	Gasket	PE
9	Gasket	NBR
10	Gasket	NBR
11	O-Ring	NBR
12	Body	Brass
13	O-Ring	NBR
14	Seal joint	Brass
15	Connector Nut	Brass
16	Circular Tube	Brass
17	Outlet Assembly	Rubber/ Brass



SECTION VIEW

STANDARD SPECIFICATIONS	
Nominal pressure	1.0 MPa
Working Medium	Water
Working Temperature	$t \leq 90\text{ }^{\circ}\text{C}$

SPECIFICATIONS			
SKU	G (mm)	WEIGHT (Kg)	PCS/CTN
NXG6L	1/2" BSP	0.780	10